

700TVL High Resolution, High Sensitivity. 960H Analog Box Camera

The SCB-3003 belongs to the 960H premium WDR analog camera series that provides 700TV lines resolution with user-friendly and value added functions such as a motorised vari-focal lens, Day & Night, Privacy Masking ,Digital Noise Reduction and Video Analytics (That includes Fixed / Moved, Area, Fence, Detection, Counting). The SCB-3003 provides clear images under a variety of challenging environment conditions, making it a perfect and practical solution for anyone looking for a cost effective high performance video surveillance camera.

SCB-3003

960H Premium Resolution WDR Camera

- High Resolution of 700TV lines (Color)
- Min. illumination 0.1Lux@F1.2 (Color), 0.01Lux (B/W)
- WDR, VPS, Simple focus, Intelligent video analytics
- True Day & Night (ICR), SSSNR III
- Coax : Pelco-C (Coaxitron), RS-485, Dual power, 230V AC



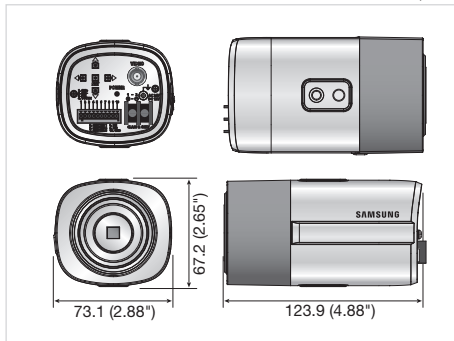


Specifications

	SCB-3003N	SCB-3003P
VIDEO		
Imaging Device	1/3" Super HAD CCD II (Double scan)	
Total Pixels	1,028(H) x 508(V)	1,028(H) x 596(V)
Effective Pixels	976(H) x 494(V)	976(H) x 582(V)
Scanning System	2 : 1 Interlace	
Synchronization	Internal / Line lock / Extern	
Frequency	H : 15.734KHz / V : 59.94Hz	H : 15.625KHz / V : 50Hz
Horizontal Resolution	Color : 700TV lines, B/W : 700TV lines	
Min. Illumination	Color : 0.1Lux@F1.2 (50IRE), 0.0002Lux (Sens-up, 512x) B/W : 0.01Lux@F1.2 (50IRE), 0.00002Lux (Sens-up, 512x)	
S / N Ratio	52dB (AGC off, Weight on)	
Video Output	CVBS : 1.0 Vp-p / 75Ω composite	
LENS		
Focus Control	Simple focus / Manual, Botton control (Manual, Simple focus, Day & Night)	
Lens Type	Manual / Auto iris (Video / DC)	
Mount Type	C / CS	
OPERATIONAL		
On Screen Display	English, Japanese, Spanish, French, Portuguese, Korean	English, French, German, Spanish, Italian, Chinese, Russian, Polish, Czech, Romanian, Serbian, Swedish, Danish, Turkish, Portuguese
Camera Title	Off / On (Displayed 15 characters)	
Day & Night	Auto (ICR) / External / Color / B/W	
Backlight Compensation	Off / User BLC / HLC / WDR	
Wide Dynamic Range	52dB	54dB
Contrast Enhancement	SSDR (Off / On)	
Digital Noise Reduction	SSNRIII (Off / On)	
Digital Image Stabilization	Off / On	
Motion Detection	Off / On	
Privacy Masking	Off / On (12 programmable zones with polygonal masking)	
Sens-up (Frame Integration)	2x ~ 512x	
Gain Control	Off / Low / High	
White Balance	ATW / Outdoor / Indoor / Manual / AWC (1,700°K ~ 11,000°K)	
Electronic Shutter Speed	1/60 ~ 1/120,000sec	1/50 ~ 1/120,000sec
Digital Zoom	Off / On (1x ~ 16x)	
Reverse	Off / H-Rev / V-Rev / HV-Rev	
Profile	Basic / Day & Night / Backlight / ITS / Indoor / User	
Intelligent Video Analytics	Fixed / Moved, Fence, Tracking, Counting	
VPS	Off / On	
PIP	Off / On	
Alarm	1 Out	
Communication	Coaxial control (SPC-300 compatible), RS-485	
Protocol	Coax : Pelco-C (Coaxitron) RS-485 : Samsung-T/E, Pelco-D/P, Panasonic, Bosch, Honeywell, Vicon	
ENVIRONMENTAL		
Operating Temperature / Humidity	-10°C ~ +55°C (+14°F ~ +131°F) / Less than 90% RH	
ELECTRICAL		
Input Voltage / Current	Dual (24V AC & 12V DC ±10%)	
Power Consumption	Max. 5.4W	
MECHANICAL		
Color / Material	Black, Silver / Aluminum, Steel	
Dimensions (WxHxD)	73.1 x 67.2 x 123.9mm (2.88" x 2.65" x 4.88")	
Weight	285g (0.63 lb)	

Dimensions

Unit : mm (inch)



Accessories (Optional)



The Eco mark represents Samsung Techwin's will to create environment-friendly products, and indicates that the product satisfies the EU RoHS Directive.

Design and specifications are subject to change without notice.

DISTRIBUTED BY



SAMSUNG TECHWIN CO., LTD.

6, Pangyo-ro 319beon-gil, Bundang-gu, Seongnam-si, Gyeonggi-do, SEOUL 463-400 Rep. of KOREA
Tel : +82-70-7147-8741~8749, 8752~8760 Fax : +82-31-8018-3745 www.samsungsecurity.com www.samsungcctv.com

SAMSUNG TECHWIN AMERICA INC.
100 Challenger Rd., Suite 700 Ridgeland Park, NJ 07860
Toll Free : +1-877-213-1222 Direct : +1-201-325-6920
Fax : +1-201-373-0124

SAMSUNG TECHWIN EUROPE LTD.
2nd floor No5, The Height, Brookland, Weybridge, Surrey, U.K.
KT13 0NY
Tel : +44-1932-82-6700 Fax : +44 1932 82 6701

SHANGHAI SAMSUNG TECHWIN CO., LTD.
32F, Bk B, International Business Center,
No. 391 Guiping Rd., Shanghai, China, 200233
Tel : +86-21-5427-1155 Fax : +86-21-5423-5122



SAMSUNG TECHWIN