



SAMSUNG TECHWIN

# Impressive Cost Performance Ratio

## SCD-2021R

High Resolution Small IR Dome Camera

- High resolution of 650TV lines
- Min. Illumination 0Lux (IR LED on), IR distance 20m
- Built-in fixed lens (3.6mm), DNR, 12V DC



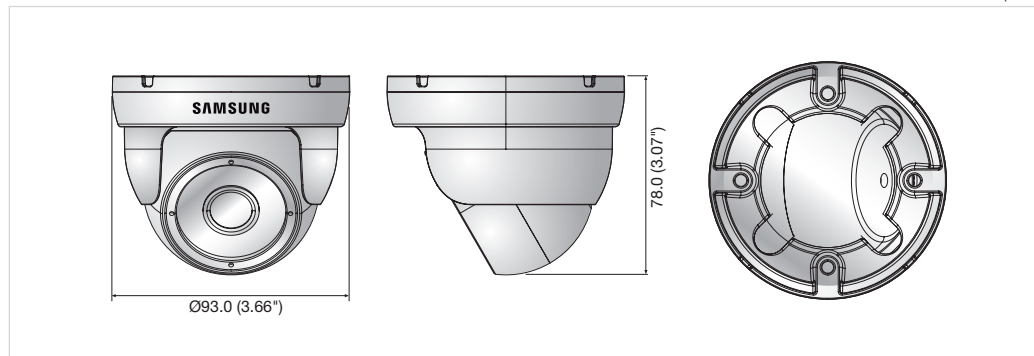


## Specifications

	SCD-2021RN	SCD-2021RP
<b>VIDEO</b>		
Imaging Device	1/3" CMOS	
Total Pixels	680(H) x 512(V)	
Scanning System	2 : 1 Interlace	
Synchronization	Internal	
Frequency	H : 15.734Hz / V : 59.94Hz	H : 15.625Hz / V : 50Hz
Horizontal Resolution	Color : 650TV lines	
Min. Illumination	0Lux (IR LED on)	
S / N Ratio	46dB (AGC off, Weight on)	
Video Output	CVBS : 1.0 Vp-p / 75Ω composite	
<b>LENS</b>		
Focal Length (Zoom Ratio)	3.6mm	
Angular Field of View	H : 75.7° / V : 66° / D : 90°	
Min. Object Distance	0.2m (0.66ft)	
Lens Type	Fixed	
Mount Type	Board type	
<b>OPERATIONAL</b>		
Day & Night	Auto	
Digital Noise Reduction	Auto	
Gain Control	Auto	
White Balance	Auto (3,200°K ~ 6,500°K)	
IR Distance	20m (IR LED 12ea)	
<b>ENVIRONMENTAL</b>		
Operating Temperature / Humidity	-10°C ~ +40°C (+14°F ~ +104°F) / Less than 90% RH	
<b>ELECTRICAL</b>		
Input Voltage / Current	12V DC	
Power Consumption	Not fixed	
<b>MECHANICAL</b>		
Color / Material	Ivory / Plastic	
Dimensions (WxH)	Ø93.0 x 78.0mm (Ø3.66" x 3.07")	
Weight	160g (0.35 lb)	

## Dimensions

Unit : mm (inch)



The Eco mark represents Samsung Techwin's will to create environment-friendly products, and indicates that the product satisfies the EU RoHS Directive.

Design and specifications are subject to change without notice.

■ DISTRIBUTED BY

### SAMSUNG TECHWIN CO., LTD.

6, Pangyo-ro 319beon-gil, Bundang-gu, Seongnam-si, Gyeonggi-do, SEOUL 463-400 Rep. of KOREA  
 Tel : +82-70-7147-8741~8749, 8752~8760 Fax : +82-31-8018-3745 [www.samsungsecurity.com](http://www.samsungsecurity.com) [www.samsungcctv.com](http://www.samsungcctv.com)

**SAMSUNG TECHWIN AMERICA Inc.**  
 100 Challenger Rd., Suite 700 Ridgfield Park, NJ 07660  
 Toll Free : +1-877-213-1222 Direct : +1-201-325-6920  
 Fax : +1-201-373-0124

**SAMSUNG TECHWIN EUROPE LTD.**  
 2nd floor No5, The Height, Brookland, Weybridge, Surrey, U.K.  
 KT13 0NY  
 Tel : +44-1932-82-6700 Fax : +44 1932 82 6701

**SHANGHAI SAMSUNG TECHWIN CO., LTD.**  
 32F, Bk B, International Business Center,  
 No. 391 Guiping Rd., Shanghai, China, 200233  
 Tel : +86-21-5427-1155 Fax : +86-21-5423-5122



**SAMSUNG TECHWIN**