

QNO-6082R1

2MP IR Bullet Camera

Network



FC | UL LISTED | CE | ENEC

Key Features

- Maximum 2megapixel (1920 x 1080) resolution
- 0.03lux (Color), 0Lux (B/W, IR LED on)
- 3.2 ~ 10mm (3.1x) motorized varifocal lens
- Maximum 30fps@2MP all resolutions (H.265/H.264)
- H.265, H.264, MJPEG codec supported, Multiple streaming
- Motion detection, Tampering, Defocus detection
- Hallway view (90°/270°), LDC support
- Micro SD/SDHC/SDXC memory slot (Max. 128GB)
- IR viewable length 30m
- IP66, IK10, PoE/12VDC
- No-audio model

| Video | |
|----------------------------------|--|
| Imaging Device | 1/2.8" 2MP CMOS |
| Resolution | 1920x1080, 1280x960, 1280x720, 800x600, 800x448, 720x576, 720x480, 640x480, 640x360 |
| Max. Framerate | H.265/H.264: Max. 30fps/25fps(60Hz/50Hz) MJPEG: Max. 15fps/12fps(60Hz/50Hz) |
| Min. Illumination | Color: 0.03Lux(F1.6, 1/30sec) BW: 0Lux(IR LED on) |
| Video Out | CVBS: 1.0 Vp-p / 75Ω composite, 720x480(N), 720x576(P) for installation |
| Lens | |
| Focal Length (Zoom Ratio) | 3.2~10mm(3.1x) motorized varifocal |
| Max. Aperture Ratio | F1.6(Wide)~F2.9(Tele) |
| Angular Field of View | H: 109.0°(Wide)~33.2°(Tele) / V: 57.4°(Wide)~18.7°(Tele) / D: 132.0°(Wide)~38.0°(Tele) |
| Min. Object Distance | 0.5m (1.64ft) |
| Focus Control | Simple focus |
| Lens Type | DC auto iris |
| Operational | |
| Camera Title | Displayed up to 85 characters |
| Day & Night | Auto(ICR) |
| Backlight Compensation | BLC, WDR, SDR |
| Wide Dynamic Range | 120dB |
| Digital Noise Reduction | SSNR |
| Motion Detection | 4ea, polygonal zones |
| Privacy Masking | 6ea, rectangular zones |
| Gain Control | Low / Middle / High |
| White Balance | ATW / AWC / Manual / Indoor / Outdoor |
| LDC | Support |
| Electronic Shutter Speed | Minimum / Maximum / Anti flicker (1/5~1/12,000sec) |
| Video Rotation | Flip, Mirror, Hallway view(90/270) |
| Analytics | Defocus detection, Directional detection, Motion detection, Enter/Exit, Tampering, Virtual line |
| Alarm I/O | Input 1ea / Output 1ea |
| Alarm Triggers | Analytics, Network disconnect, Alarm input |
| Alarm Events | File upload via FTP and e-mail Notification via e-mail SD/SDHC/SDXC or NAS recording at event triggers Alarm output |
| IR Viewable Length | 30m(98.42ft) |
| Network | |
| Ethernet | RJ-45(10/100BASE-T) |
| Video Compression | H.265/H.264: Main/High, MJPEG |

| | |
|--|--|
| Smart Codec | WiseStream II |
| Bitrate Control | H.264/H.265: CBR or VBR MJPEG: VBR |
| Streaming | Unicast(6 users) / Multicast Multiple streaming(Up to 3 profiles) |
| Protocol | IPv4, IPv6, TCP/IP, UDP/IP, RTP(UDP), RTP(TCP), RTCP, RTSP, NTP, HTTP, HTTPS, SSL/TLS, DHCP, FTP, SMTP, ICMP, IGMP, SNMPv1/v2c/v3(MIB-2), ARP, DNS, DDNS, QoS, UPnP, Bonjour, LLDP |
| Security | HTTPS(SSL) Login Authentication Digest Login Authentication IP Address Filtering User access log 802.1X Authentication(EAP-TLS, EAP-LEAP) |
| Application Programming Interface | ONVIF Profile S/G/T SUNAPI(HTTP API) Wisenet open platform |

General

| | |
|-------------------------|--|
| Webpage Language | English, Korean, Chinese, French, Italian, Spanish, German, Japanese, Russian, Portuguese, Czech, Polish, Turkish, Dutch |
| Edge Storage | Micro SD/SDHC/SDXC 1slot 128GB |
| Memory | 512MB RAM, 256MB Flash |

Environmental & Electrical

| | |
|---|--|
| Operating Temperature / Humidity | -30°C ~ +55°C(-22°F ~ +131°F) / Less than 90% RH * Start up should be done at above -20°C |
| Storage Temperature / Humidity | -30°C ~ +60°C(-22°F ~ +140°F) / Less than 90% RH |
| Certification | IP66, IK10 |
| Input Voltage | PoE(IEEE802.3af, Class3), 12VDC |
| Power Consumption | PoE: Max 7.40W, typical 5.40W 12VDC: Max 6.50W, typical 4.80W |

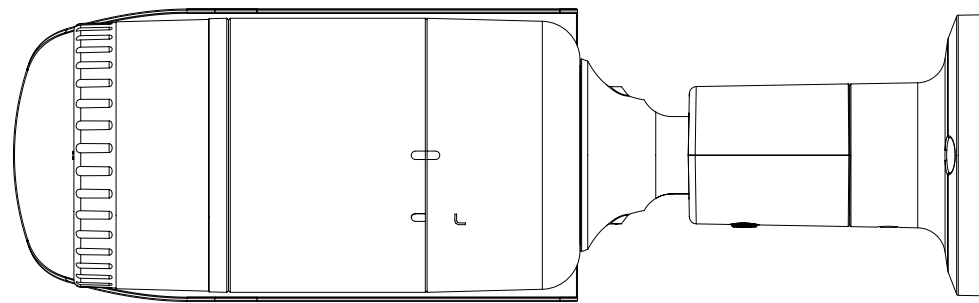
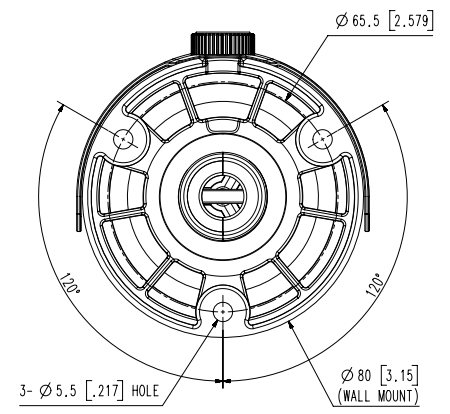
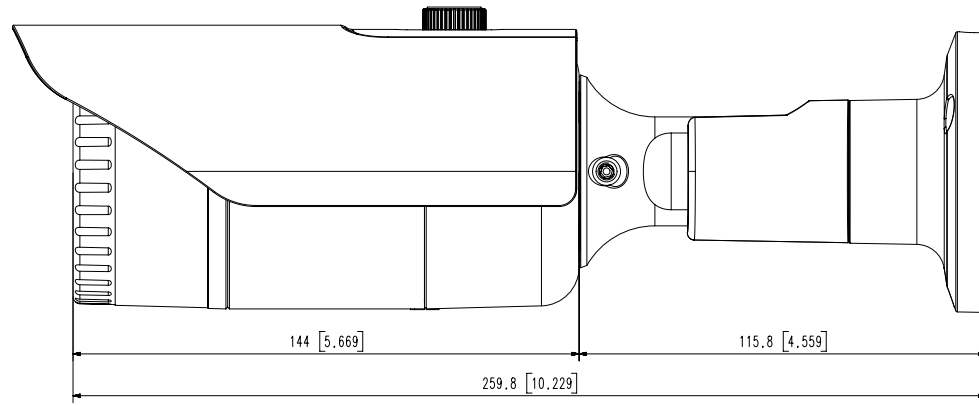
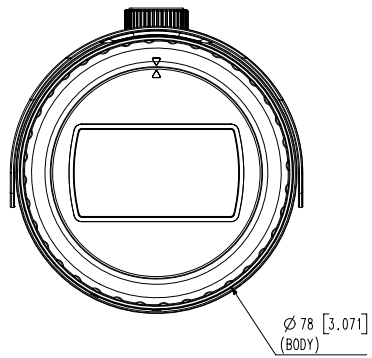
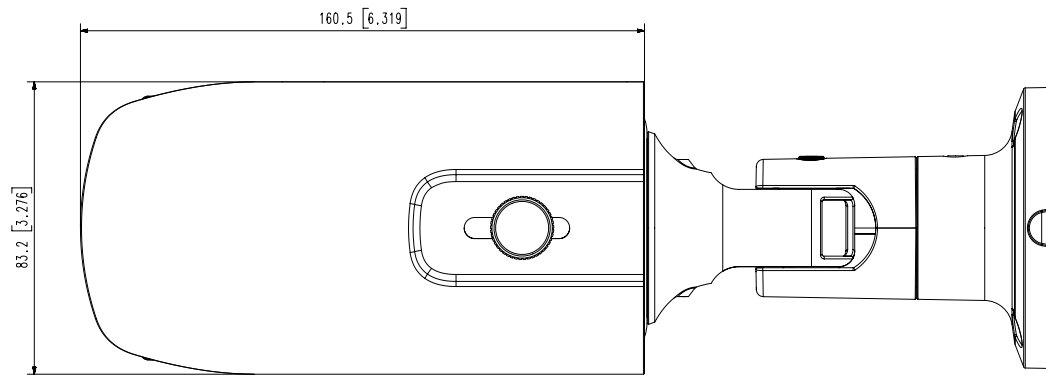
Mechanical

| | |
|------------------------------------|--|
| Color / Material | Dark grey / Aluminum |
| Product Dimensions / Weight | Ø78.0x259.8mm(Ø3.07x10.23"), 900g(1.98 lb) |

DORI (EN62676-4 standard)

| | |
|----------------------------------|---|
| Detect (25PPM/ 8PPF) | Wide: 27.4m(89.85ft) / Tele: 128.8m(422.56ft) |
| Observe (63PPM/ 19PPF) | Wide: 11.0m(35.94ft) / Tele: 51.5m(169.02ft) |
| Recognize (125PPM/ 38PPF) | Wide: 5.5m(17.97ft) / Tele: 25.8m(84.51ft) |
| Identify (250PPM/ 76PPF) | Wide: 2.7m(8.99ft) / Tele: 12.9m(42.26ft) |

- The latest product information / specification can be found at hanwha-security.com
- Design and specifications are subject to change without notice.
- Wisenet is the proprietary brand of Hanwha Techwin, formerly known as Samsung Techwin.



UNIT : mm [inch]
SCALE : 1/1